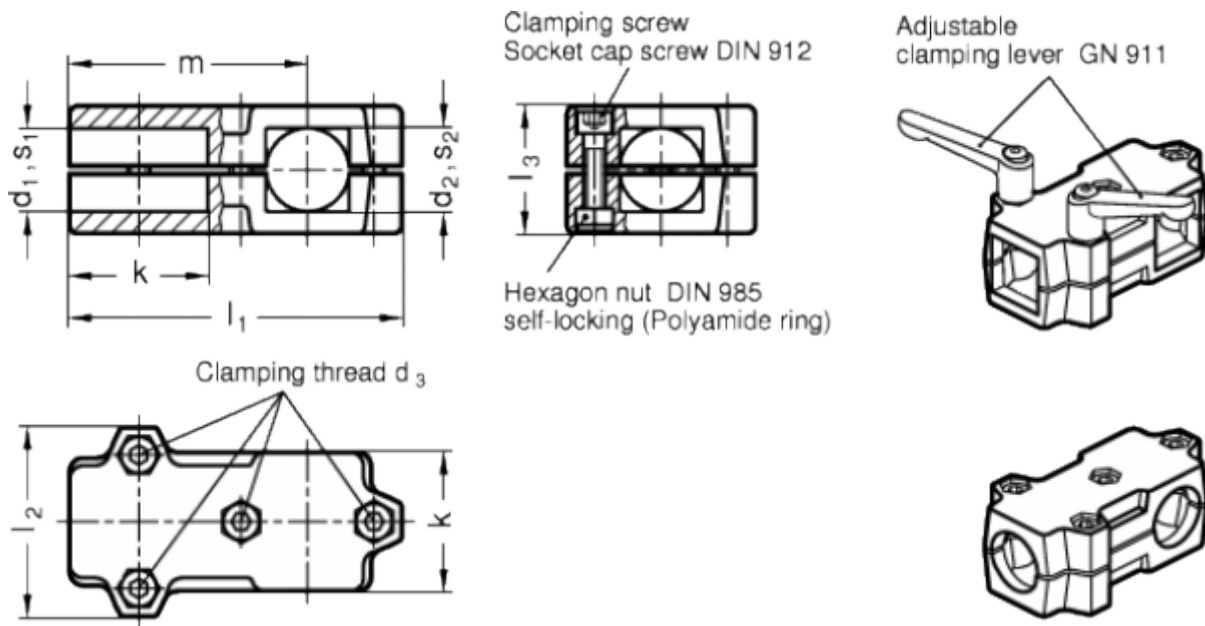


Article number: 20193V45B45762BL  
 Description: E+G T-angel clamp  
 GN 193-V45-B45-76-2-BL

## Measures



Accessories = GN 911-M10-63	m	= -
d1 = -	s1	= 45
d2 = 45	s2	= -
d3 = M10	Weight in (g)	= 1100
k = 76		
l1 = 176		
l2 = 98		
l3 = 70		